

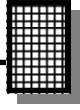
IR CONTROL INTERFACE

Ramsey Electronics Model No. ICI1

Do you have a ton of old remote controls around, or even a universal remote? Put those to real use by training this unique kit to recognize the remotes, and allow you to turn a set of four relays on and off! Turn on lights, TVs that have no remote, small appliances and more!

- **IR Receiver module with sensitive element can receive your remote control up to 11 meters away.**
- **Control up to four devices independently via relays.**
- **E-Z screw terminals hookup for each output.**
- **Easy to train to recognize almost any remote control!**
- **Universal 7-15V AC or DC operation. Use our AC-1 wall adapter for battery free operation.**
- **Convenient LED indicator lets you know Infra Red status.**





RAMSEY TRANSMITTER KITS

- FM10A, FM25B FM Stereo Transmitters
- FM100B Professional FM Stereo Transmitter
- TXE433 or 916 Transmitter & Encoder Module
- RXD433 or 916 Data Receiver & Decoder
- RR1 Wired remote repeater
- RRW1 Wireless remote repeater

RAMSEY RECEIVER KITS

- FR1 FM Broadcast Receiver
- AR1 Aircraft Band Receiver
- SR1 Short-wave Receiver

RAMSEY HOBBY KITS

- WEB1 Walking Electronic Bug
- LEDS1 LED Strobe
- BE66 Blinky Eyes
- EDF1 Electronic Dripping Faucet
- TFM3 Tri-Field Meter
- LC1 Inductance-Capacitance Meter

RAMSEY AMATEUR RADIO KITS

- HR Series HF All Mode Receivers
- QRP Series HF CW Transmitters
- CW7 CW Keyer
- DDF1 Doppler Direction Finder
- QRP Power Amplifiers

RAMSEY MINI-KITS

Many other kits are available for hobby, school, Scouts and just plain FUN. New kits are always under development. Write or call for our free Ramsey catalog.



ICI1 REMOTE INTERFACE KIT MANUAL

Ramsey Electronics publication No. MICI1 Revision 1.4

First printing: July 2002 JJH

COPYRIGHT 2002 by Ramsey Electronics, Inc. 590 Fishers Station Drive, Victor, New York 14564. All rights reserved. No portion of this publication may be copied or duplicated without the written permission of Ramsey Electronics, Inc. Printed in the United States of America.



KIT ASSEMBLY AND INSTRUCTION MANUAL FOR

ICI1 IR CONTROL INTERFACE KIT

TABLE OF CONTENTS

Introduction	4
Theory of Operation	5
Learn As You Build	7
Parts List	9
Schematic Diagram	10
Parts Placement Diagram	11
Assembly Steps.....	12
Testing.....	17
Programming.....	18
Wiring and Custom Application	21
Troubleshooting	22
Specifications	25
Warranty.....	27



ICI1 INTRODUCTION

Welcome to the ICI1 kit (and if you don't have the time, the wired and tested version). We will make an attempt at helping you understand IR remote controls and how they typically work, and also how this kit works to help you understand what you are building.

Virtually any modern day consumer audio or video device contains an infrared remote control unit. Usually our living room contains several of these to control several different pieces of equipment. In fact we often have so many of these little gems that it becomes necessary to obtain an "all in one" remote control that controls all the functions of your entertainment system. Of course, this leads to having several remote control units delegated to the junk drawer, and that brought about the idea for this kit. Let's put the old remotes to use controlling an easy to build kit that will control four separate outputs. By toggling a relay for each, we can live the life of the future by remotely controlling our fans, lamps, and even the coffee pot!



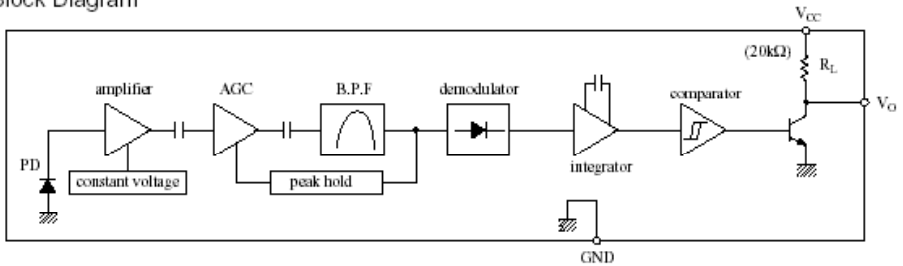
Let's dig into these units a little bit. A typical infrared remote contains a few functional parts in common with each other; we'll examine them. First there is some type of keypad assembly. Nowadays this is typically a large molded sheet of rubber with the buttons protruding outward. The end of the button you cannot see is typically coated with a carbon "button" that will make contact with the printed circuit board underneath, completing the circuit when the button is depressed (no, it's not sad, it is just making contact!). This switch closure will cause an Integrated Circuit on the circuit board to repeat a pre-determined code at the output. This digital signal typically drives an infrared diode to conduct on the front of the unit "broadcasting" the infrared signal to the equipment to be controlled.

Our eyes are sensitive detectors in the visible light range, but the wavelength of the infrared diode falls outside that detection range. So we can't see the diode performing its function. But rest assured, given a fresh battery, it is dutifully doing it over and over again. These codes are unique so that the infrared detector on the equipment can determine what function each of the buttons should be, and perform that operation. These controlling codes are unique to each manufacturer, so our kit needs to "learn" these codes to perform the functions we require.

IC1 THEORY OF OPERATION

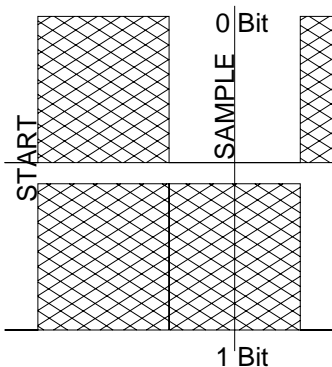
At first look the IC1 may seem quite simple, but there is actually quite a bit to it on the “inside” of the components. Many items are inside the IR receiver part (U4) and if built up with discrete components it would never fit in this little kit case. Inside this part there’s an IR detector diode, amplifier, AGC circuit, band pass filter, a peak-hold circuit, an integrator, comparators, and an output amp. Heck, the part is a kit in itself! Just be glad it is in one nice module all

■ Block Diagram



ready to go. The pre-programmed microcontroller houses several thousand transistors, memory locations, and an oscillator circuit. As a matter of fact, building this kit 20 years ago would have been next to impossible with the complexity of the circuit(s) to accomplish the tasks at hand.

Your IR remote controls send data on a 38kHz carrier, much like radio does. The digital information is actually modulated onto the carrier frequency. A few of the reasons for this is to increase range, and decrease interference from other IR sources such as ambient light. Remember that infrared can also be thought of as “heat”; it is one of the components of energy that comes from a heat source. The modulation is transmitted in an OOK (on off keying) fashion, meaning the IR LED is switched on and off at a rate of 38kHz for a certain duration for a one, and another certain duration for a zero, with pauses of no carrier in-between each one and zero. A common remote control format does some special things to differentiate a one from a zero for digital sending and receiving of data.



When the IR detector “sees” a 38kHz IR signal, the output of the detector goes low (it is inverted), when there is no 38kHz signal, the output idles high. On the output of the IR detector you won’t see the 38kHz, just the data that the 38kHz represents from your IR remote control. This allows the remote control to save power since the IR LED is “on” for a minimal amount of time.

Typically a remote control will send data in a format consisting of time slices. To send a zero, the IR LED will be off for one time slice, and then toggled at a rate of 38kHz for the second time slice. To send a one, the IR remote will use three time slices. Off for two time slices, and on for one. This makes things easy on the receiver side, because we just have to look from the edge of the first on-to-off transition to the middle of the second time slice (1 1/2 time slices from the start) to determine the bit that was sent.

It's important to note, however is that most remote controls send a unique first code that can be identified for each and every button, as well as each and every remote control. Some remotes will send a full data stream over and over as long as you hold the button down, up to 48 bits per data stream. Other remotes will only send this full data stream once for the first depression, and then a very short repeat code usually of only one bit, to save on batteries.

The ICI1 recognizes the full codes, and discards the short repeat codes unless you are holding a relay in position. If we didn't do this, we couldn't tell one button from another! You will find that with some remotes, you need to press the button twice to train the ICI1 to remember a certain button. This means the remote you are using is using repeat codes. Other remotes just require you to press and hold the button, so these are the ones that send the same code over and over.

One other variance is the data rate from the remote. Generally most remotes send at a rate of 2400 Hz time slices, but others send at only 1200 Hz time slices. This presents a problem on slower remotes since the sample period will always lie in a high or low portion of the subsequent data, meaning we will receive nothing but ones or zeros. There is a speed jumper you can install to allow the ICI1 to work with these remotes. If an incorrect speed remote control is detected, the micro controller emits a special beep to let you know the format is wrong. Then you can switch the jumper over to the other speed and try again, then you will get either a recognized beep if you have trained the button, or an unrecognized beep if you have not.

When you train the ICI1, the micro controller looks at the IR data stream and rejects those codes it sees as useless or unverified. The ICI1 looks at the data from the remote sensor, makes sure it is not a repeat code, checks that it is not the wrong speed, and then compares it to a previous send before saving the new value in the Flash memory of the controller. That is why you have to press the button twice on some remotes; so you can get the same code for verification before saving.

When the ICI1 is normally receiving, it looks at the data stream, and compares it to what was saved. If there is a match, the corresponding relay is set or cleared depending on the mode. If there are repeat codes within the allotted time, the state of the relay is held until there are no more signals seen for that time.

There are two option switches OP1, and OP2 which allow you to switch the modes of Relay 1&2 with OP1, and Relay 3&4 with OP2. If the option jumper is in, then the corresponding relays are in “auto-toggle” mode. It means that as long as the remote button is pressed, the relay will remain energized. Let go of the button, and it de-energizes the coil. The typical action of the relay is in toggle mode. Press the remote button, and the relay changes state. If the initial state was off, it turns on, if it was on, it then shuts off. This is useful for switching external circuits on and off without having to hold down the button.

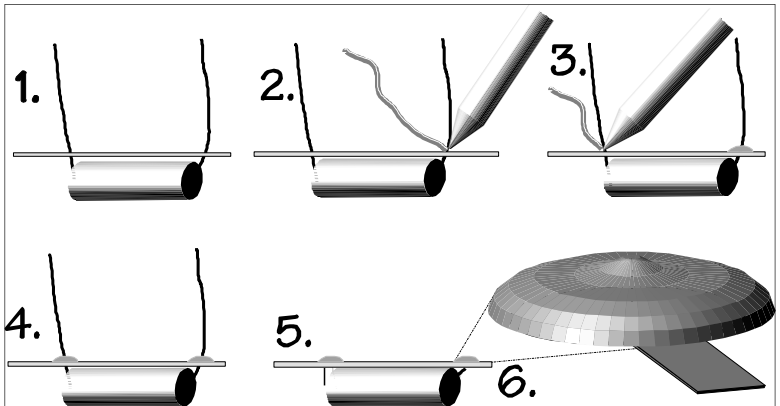
RAMSEY “LEARN-AS-YOU-BUILD” ASSEMBLY STRATEGY

Be sure to read through all of the steps, and check the boxes as you go to be sure you didn't miss any important steps. Although you may be in a hurry to see results, before you switch on the power check all wiring and capacitors for proper orientation. Also check the board for any possible solder shorts, and/or cold solder joints. All of these mistakes could have detrimental effects on your kit - not to mention your ego!

Kit building tips:

Use a good soldering technique - let your soldering iron tip gently heat the traces to which you are soldering, heating both wires and pads simultaneously. Apply the solder on the iron and the pad when the pad is hot enough to melt the solder. The finished joint should look like a drop of water on paper, somewhat soaked in.

Mount all electrical parts on the top side of the board provided. To install parts, the component should be placed flat to the board, and the leads are bent on the backside of the board to prevent the part from falling out before soldering (1). The part is then soldered securely to the board (2-4), and the remaining lead length is then clipped off (5). Notice how the solder joint looks on close up (6). Notice how the solder joint looks on close up, clean and smooth with no holes or sharp points (6).



Although we know that you are anxious to complete the assembly of your infrared controller kit it is best to follow the step-by-step instructions in this manual. Try to avoid the urge to jump ahead installing components.

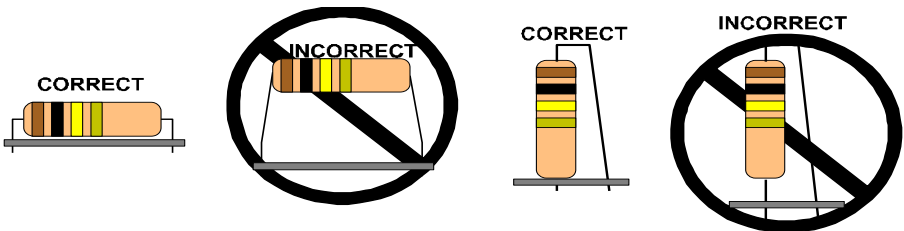
Since you may appreciate some warm-up soldering practice as well as a chance to put some landmarks on the PC board, we'll first install some of the larger components. This will also help us to get acquainted with the up-down, left-right orientation of the circuit board. Remember that all of the components will be mounted on the component side of the circuit board and soldered on the solder side of the circuit board (the side that contains the printed circuit traces). Have a look at the parts layout diagram to help with your assembly.

Use the boxes to check off your progress.

Check all received parts against the parts list. The parts list describes the various markings that may be found on the kit parts. Carefully sort the parts into small piles to aid in finding the correct part at the required time.

We will begin by installing the input and output connectors on the rear side of the circuit board. These will act as our landmark components and make the orientation of the rest of the parts a bit easier.

Proper Component Installation:



NOTE TO NEWCOMERS: If you are a first time kit builder we hope you find this manual easier to understand than you may have expected. Each part in the kit is checked off as you go, while a detailed description of each part is given. If you follow each step in the manual in order, and practice good soldering and kit building skills, the kit is next to fail-safe. If a problem does occur, the manual will lead you through step by step in the troubleshooting guide until you find the problem and are able to correct it.

PARTS SUPPLIED WITH YOUR ICI1 KIT

Capacitors

- 2 10 pF ceramic capacitors (Marked 10 or 10K) (C1,8)
- 4 0.1 μ F ceramic capacitors (Marked 104) (C2,3,6,7)
- 1 10 μ F electrolytic capacitor (C5)
- 1 1000 μ F electrolytic capacitor (C4)

Resistors

- 1 10 ohm resistor (brown-black-black) (R13)
- 4 100 ohm (brown-black-brown) (R14,15,16,17)
- 1 220 ohm resistor (red-red-brown) (R5)
- 5 1K ohm resistors (brown-black-red) (R1,2,3,4,20)
- 6 10K ohms (brown-black-orange) (R7,8,9,10,11,12)
- 1 1M ohm resistor (brown-black-green) (R18)

Semiconductors and Integrated Circuits

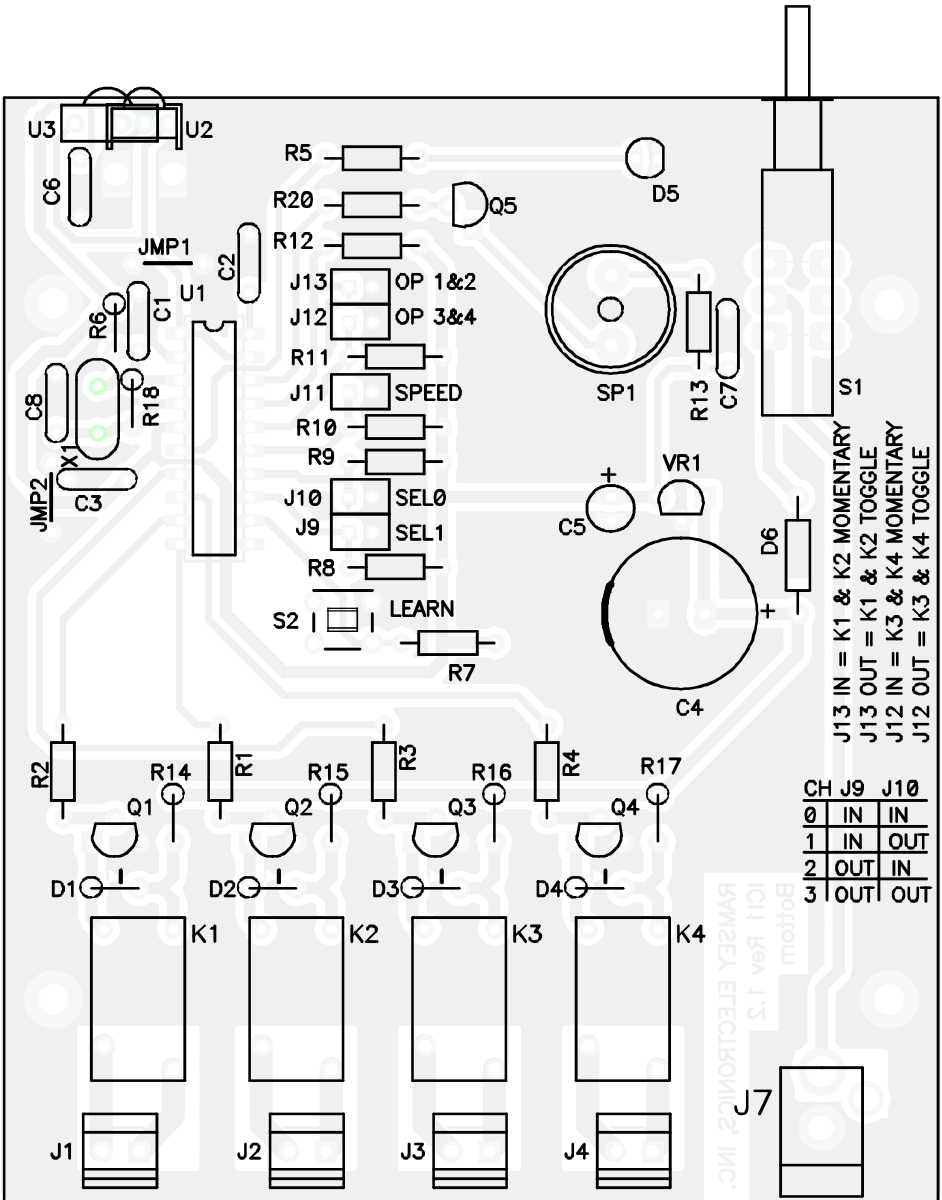
- 5 1N4002 Rectifier Diode (Black body with white stripe marked 4002) (D1,2,3,4,6)
- 5 2N3904 NPN transistor (Marked 2N3904) (Q1,2,3,4,5)
- 1 78L05 5V Voltage Regulator (Marked 78L05 in transistor-like package) (VR1)
- 1 68HC908JK1 Pre-programmed microcontroller (U1)
- 1 IR Sensor Module (U2 or U3, see instructions)
- 1 Large Green LED (D5)

Miscellaneous Components

- 1 20 pin IC socket for microcontroller U1
- 4 2 screw terminal jack (J1,2,3,4)
- 1 2.1 mm DC power jack (J7)
- 5 2-pin headers (J9,10,11,12,13)
- 5 Jumper Blocks
- 1 DPDT PC mount pushbutton switch (S1)
- 1 Mini toggle pushbutton switch (S2)
- 4 9 Volt Relay (K1,2,3,4)
- 1 9.8304 MHz crystal (Marked 9.8304) (X1)
- 1 Mini-speaker (SP1)

ICI1 SCHEMATIC DIAGRAM

IC1 PARTS PLACEMENT DIAGRAM



IC11 REMOTE CONTROLLER INTERFACE ASSEMBLY

Assembly of the IC11 is fairly easy, as we use all through hole components, but it requires some time and some patience. We will start with the side that has the power jack, and we will move from there using the power jack as a reference.

- ❑ 1. Identify and install power connector J7 toward the rear of the printed circuit board. Gently slide the leads through the circuit board until the connector is flush to the board with the connection hole facing towards the outside of the kit and solder all three connections. Use enough heat to flow the ground connection completely; this may take a little while depending on the wattage of your soldering pencil. Use caution when soldering the other two leads so that too much time or heat is not applied; it may cause the printed circuit trace to lift away from the circuit board
- ❑ 2. Install J4, the 2-screw terminal connector. Make sure and mount it so that the receiving holes are facing the outside edge of the board. This is where you will be mounting the interface wires when you are finished, so make sure that the openings face outward. The screw terminal makes it easy to work with, and you can change the wires without a soldering iron. Again, these jacks will deal with the strain of interconnection to “the outside world”, so use enough solder for a robust solder joint.
- ❑ 3. In the same manner, install J1, J2 and J3, also two screw terminal connectors.
- ❑ 4. Moving to the other end of the circuit board, install pushbutton switch S1 by inserting all six leads through the circuit board. The switch should fit flat to the circuit board before soldering.

Great job up until now! Take a moment to check your previous solder joints for “opens” where the solder did not completely flow around the connection or solder bridges between closely spaced pads. It seems the best time to identify these types of problems is now when you’re focused on this section of the board, saving you time trying to retrace your steps later.

Now we will build the power supply portion of the circuit. We use a 78L05 voltage regulation circuit to provide for a clean trouble free voltage source for the infrared interface. It is critical that the power source be free of noise and any hum for proper operation of the kit. The 78xx series of voltage regulators is extensively used in many of today's modern electronic appliances to perform this task.

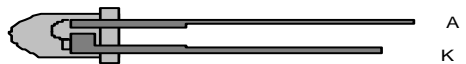
- ❑ 5. Identify D6, the 1N4002 diode (black epoxy case with a polarity “band” denoting the cathode (negative) side of the diode). Install as shown in the parts placement diagram, noting the proper orientation of the polarity band. Since a diode only will conduct when it is forward biased, this diode acts as a “reverse voltage” protection circuit. Diodes are often used as

“one-way switches” in this manner to protect internal circuitry. In our case we use the diode “double duty”, because if you use an AC wall adapter this diode will act as a half wave rectifier to provide a DC voltage to the input of the voltage regulator IC.

- ❑ 6. Identify C4, the 1000 uF electrolytic capacitor (cylindrical component and marked 1000 uF). Electrolytic capacitors are polarized with a (+) and (-) lead and must be installed in the correct orientation. Ordinarily only the negative side is marked on the capacitor body with a dark band and the (-) sign clearly shown, while the PC boards will usually show the (+) hole location. Normally the part also has one lead that is shorter than the other and this also corresponds to the negative lead. Use care to ensure proper polarity. See the parts diagram for proper placement. The capacitor should fit snugly down to the PC board. Save those long leads that you trim off to fashion jumper connections later in the assembly.
- ❑ 7. Identify VR1, the 78L05 voltage regulator IC (the three leaded component labeled 78L05). This component is in a TO-92 package, and again proper orientation is required for correct operation. The component should be mounted so that the “flat” side of the part mounts facing the previously installed capacitor. Use caution not to stress the leads when inserting or soldering. Use the parts layout diagram as a guide for proper orientation. This part works by “smoothing” out any junk that may reside on the non-regulated side of the part. It also allows you to run this kit from a wide range of supply voltages on the input, while it keeps the output to 5V.
- ❑ 8. Install C5, the 10 uF electrolytic capacitor (marked 10 uF). Remember to observe polarity with those electrolytic capacitors! Check the parts placement diagram for correct orientation.

Recheck your work up until now, trimming those component leads as you go. Next we will work on the “feedback” portion of the circuit that lets us know we are receiving and executing commands from the remote control unit, both using an audible beep and light emitting diode.

- ❑ 9. Install D2 on the other side of the board (the Green LED). This LED will blink when the IR detector sees data to let you know that an IR signal has been seen. D2 only works in one direction. After all it is a diode, so have a look at the diagram. The long lead indicates the Anode, the shorter is the Cathode, as well as the larger fat base that you may see inside of the LED case. This Cathode is also indicated by the flat side of the LED if you look at it end-on; you really can't miss on this one. If you look at the board we have a flat side indicated on the silk screen. Orient the LED so it's flat side is the same. Do **NOT** mount the LED flush to the board, but mount it as high as possible, or about 1 1/4" off of the board. The LED will eventually be bent over to peek out of the front of a case.



- ❑ 9. Install C7, a 0.1uF ceramic capacitor (marked 104). Disc capacitors are not polarized, so either direction is alright.
- ❑ 10. Install R13, 10 ohm resistor (brown-black-black). Resistors are not polarized; they may mount in either direction.
- ❑ 11. Identify and install the mini speaker. SP1 (small round object with two leads protruding). You may notice a “+” sign adjacent to where the leads attach, but for our application polarity is not a concern. Mount it adjacent to R13, as shown in the parts placement diagram.
- ❑ 12. Identify the small signal transistor Q5 (three leads marked 3904). Notice that there is a “flat” side of the component. Install transistor Q5, being sure to mount the flat side as shown in the parts diagram. This transistor is the driver for the mini speaker and it provides enough current to make the speaker “beep”.
- ❑ 13. Install R5, a 220 ohm resistor (red-red-brown).
- ❑ 14. Install R20, 1K ohm resistor (brown-black-red).
- ❑ 15. Install R12, 10K ohm resistor (brown-black-orange).

That’s getting the hang of it! Believe it or not you’re already about halfway through the assembly of your kit. Recheck your solder connections and touch up any less than perfect ones. Watch out for any solder bridges on the solder connections.

Lets get to work on that microcontroller. We will start with the connections that “talk” to the IC and work our way over to the chip.

- ❑ 16. Identify the jumper block headers (or strip of headers) included with your kit. If not already done, snap the pins off in pairs so that you have five sets of two pins. These will install on the circuit board with the longer ends facing upward to provide connection points to configure the micro-controller IC. Use caution soldering these as the heat from the tip of your iron will quickly travel down the metal post, and can give you a nasty burn if you are holding it in place with an extra finger. Install headers in the J13, J12, J11, J10 and J9 position.
- ❑ 17. Install resistors R7, R8, R9, R10, and R11, all 10K ohm (brown black-orange) into their respective positions. These resistors are referred to as “pull ups”, as they set the voltage at the associated pins of the microcontroller to +5 volts, whereas if the previously installed header is shorted, the DC value on the pin becomes a low, or logic zero. They “pull” the electric potential on the pins “up” to the +5 volt level; that’s where the name comes from.
- ❑ 18. Install the socket for U1, the Motorola 68HRC908 20 pin micro controller IC. It doesn’t matter which way you install the socket but it definitely matters which way you place the IC in the socket. Don’t be afraid

to use enough solder and heat for a good solder connection, and be extra careful not to “bridge” any solder connections together. It usually works best to solder the two “corner” pads first to hold the IC in place, and then work through the remaining 18 connections. Once the socket is soldered, insert the microcontroller IC into it. Pay particular attention to the orientation of this device. Make sure to align the notch or dot associated with pin one with the notch shown in the parts layout diagram. It may be helpful to gently “rock” the IC on its side on a hard flat surface before installing to align the rows of pins so that they slide in easily.

- 19. Using a scrap component lead, form a jumper wire and install in the JMP1 holes. Jumpers act like electronic “bridges” that carry power or signals over active traces on the circuit trace side of the board. Solder both connections on the bottom side of the circuit board.
- 20. In the same manner, form and install jumper wire JMP2.
- 21. Install C3, 0.1uF ceramic capacitor (Marked 104).
- 22. Install X1, the quartz crystal in the silver can labeled 9.M8304. This piece of quartz actually vibrates at a specified frequency when a voltage is applied to it. This sets up a reference clock for the microcontroller so it can execute the pre-programmed code routine contained within it. Install the crystal in the X1 position in either direction, making sure to solder both leads.
- 23. Install C8, 10 pf ceramic disc capacitor (marked 10).
- 24. Install R18, 1 Megohm resistor (brown-black-green). Notice that this component is mounted “standing up” in place. Consult the parts placement diagram for the correct position.
- 25. Install C2, a 0.1uF ceramic capacitor (Marked 104).
- 26. Install C6, another 0.1uF ceramic capacitor (Marked 104).

Notice at this point there is a position for R6; this is not installed and was meant as a place holder for future use.

- 27. Install C1, the remaining 10 pF disc (marked 10).
- 28. Install S2, the PC mount pushbutton switch. We will use this when programming our completed kit.

Whew! That was some work. But we are almost done! It’s a good time now to recheck all your work up to this point. Carefully inspect the circuit board for stray leads or open solder connections, trim and touch up any that need work. Next we will install the output relays that control the external devices. Notice how symmetrical the outputs appear; each is exactly the same as the one next to it. To take advantage of this, we will use common components and place them in all four output stages at once, this will save a lot of back and forth with

different components.

- 29. Install “lay-down” 1K ohm resistors R2, R1, R3, and R4 (brown-black-red) .
- 30. Install “stand-up” resistors R14, R15, R16, R17, all 100 ohm (brown-black-brown).
- 31. Identify the remaining small signal transistors Q1, Q2, Q3, Q4 (three leads marked 3904). Notice that there is a “flat” side of the component. Install these transistors, being sure to mount the flat side as shown in the parts diagram. These transistor are the drivers for the relays, they provides enough current to energized the relay coil.
- 32. Install the remaining 1N4002 diodes in the D1, D2, D3, and D4 positions. Yep, you remembered, those diodes are polarized so that the banded end must face in the direction shown in the parts diagram.

But wait, the relays run on an applied DC voltage, and the diodes are not used “in series” like we did before (on step 5) . . . what is their purpose? Well, a relay employs a large coil of wire to generate its magnetic field, so the energy is stored in the field. When the relay is abruptly shut off, the field collapses and a counter EMF is produced causing an inductive voltage spike. The diode limits this to a small voltage, protecting the relay coil and any component “upstream” of it. Its is always a good design practice to include it, and you will almost always see one across the coil of a DC relay.

- 33. Carefully position and install relays K1, K2, K3, and K4. Note that the pins are offset such that the component will only fit one way. Use care to ensure that all four leads protrude through the circuit board before soldering.
- 34. On to the last component the infrared detector. Depending on the vendor for this component, you may have received one that contains three mounting pins “in line” or one with offset pins Either will work, and they perform exactly the same, it is just a question of which was “in stock” at the time we placed our order. In either case, the detector is positioned such that the “bump” on the package is facing out, and the part should NOT be placed flat on the board. The component should actually be positioned about 3/4” (~20 mm) above the board so that it “looks” through the opening in the pre punched panel.

CONGRATULATIONS !

Your Remote Control Interface kit is now complete! Have a final look over your work, paying particular attention to the orientation of diodes, capacitors, and IC's. Remember that any problems you find now can save time and effort after the unit has been cased up and final assembled.

TESTING AND PROGRAMMING YOUR ICI1

To begin testing the ICI1 we will need the following items:

- AC Power supply between 9 and 15VAC or..
- DC power supply between 9 and 15VDC.
- A remote control

Its finally time to apply power to your kit. Please be sure before you do that you clear the bench of any scrap component leads and have one final look at your solder connections before you proceed. Again, time spent here can prevent problems encountered during testing and can avoid damaging any of the components.

Recalling that the relays may be set for either momentary or toggle (on-off) operation, it's time to decide how you want to configure the outputs. If you desire momentary operation, install a jumper strap in the respective OP1&2 or OP 3&4 position.

- Configure the jumper strap in the OP 1&2 position.
- Configure the jumper strap in the OP 3&4 position.

Remember that these can be easily changed at a later time, so we recommend that for initial test you omit these jumpers so that it is easier to verify the operation of each individual relay.

Place a two pin header shorting connector in the SEL0 and SEL1 position. This selects the 0,0 configuration for the first button. We pull down the two pins of the microcontroller thru a 10 K ohm resistor to set the voltages at zero, designating a digital "0" state for programming. When we continue the programming, we will use these jumpers to count up in binary for all four states.

- Configure the jumper strap in the 0 SEL position.
- Configure the jumper strap in the 1 SEL position.

Please note that when using these "shorting jumpers" it is common practice to position them on only one pin, offset such that they do not make contact with the other pin in order to set the associated jumper with the logic "1", or 5 VDC state. In this configuration the 10 K ohm resistor will pull the associated pin high. This also helps to keep you from misplacing the jumpers and will keep them handy for future programming. By setting the jumpers on these pins you're getting ready to program the 0,0 position on the ICI1.

Set the power switch to the “off” position, and plug in a suitable power source to the power input connector. The correct range of values for supply voltage is 9 - 15 VAC or VDC, and the current capacity is between 200 - 250 mA. Our AC125 transformer is the recommended source for this kit, but any wall wart will do.

Upon energizing the switch, a short chirp will be heard from the speaker and the LED should illuminate. The LED should be lit, initially; this will change after we program the microcontroller IC.

PROGRAMMING YOUR IC11

Now that we have made it through the initial “turn on” steps it is time to program the microcontroller for your individual codes. Remember to install some fresh batteries in your remote control, and aim the infrared LED towards the photo sensor. Depress one of the buttons that you intend to use for operation (I.e. button #1 for the first relay). The LED should begin to blink as the unit receives the infrared code from the transmitter. This testing verifies the operation of the detector and associated circuitry. It will also provide some clues to the operation of the remote control unit (remember we talked about this in the theory of operation) as you may see a long “burst” of code, followed by successive shorter pulse trains, or you may see the pulse train being repeated over and over. If you have access to an oscilloscope you can even observe this pulse train on the detector “output” pin, which is tied to pins 1 and 19 of the microcontroller.

Now we will set our controller to the “learn” mode to memorize the pulse trains from our remote, and configure the jumpers to learn four codes as we move along.

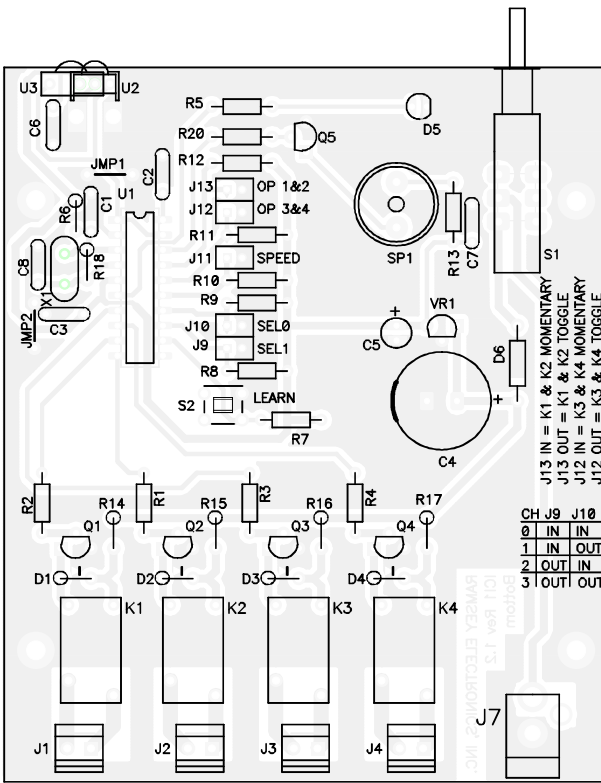
Press and hold the “learn” button.

Now the unit is waiting to memorize the code for your remote. Depress the button on your remote control unit and the LED on the front panel will blink. The speaker will chirp when the code is learned. Just to be safe, push the button on your remote control unit twice to ensure that the micro has memorized your remote controls pulse train.

Uh-oh... a raspberry!

If upon initial programming your speaker emits a two tone “raspberry”, don’t fret! This simply means that your remote control is transmitting data at a slower rate than expected by the current jumper settings. If this is the case, install the jumper across the “speed” terminals on the circuit board. This will allow the unit to work at the slower pulse train rate just as effectively as the faster rate.

If necessary, install the jumper across the “speed” header.



Back to programming. Now that the first, or digital 0,0, location has been programmed it is time to advance to the next three states. We will need to count in binary, or base two. There is no such thing as a number two in binary, only ones and zero's (making it the choice of electronic circuits). The following chart will describe the header jumper sequence for the binary count, and we have left some room to jot down the function key you are using on your remote. Be careful when programming to use the SEL 0 and SEL 1 jumpers in the correct order, as the order of 1's and 0's are important when identifying the buttons.

Jumper Settings				Remote Button
SEL 1	SEL 0	Binary Num	Decimal Num	
0	0	00	0	
0	1	01	1	
1	0	10	2	
1	1	11	3	

You have already programmed the 0,0 state; let's get to work on the remaining three states.

- Move the jumper in the SEL 0 connection so that it is only connected to one pin, offset such that it will not make contact with the other pin in order to set the associated jumper with the logic “1”, or 5 VDC state. This sets the IC to learn in the 0, 1 state (or decimal state 1).
- Depress the learn button and memorize the second code.
- In the same manner, program the remaining two codes, incrementing the jumpers as you move along.

For the #3 relay (decimal number 2 and binary 10) you'll put the jumper header back on the SEL0 pins and take it off the SEL1 pins so that it only contacts one pin. For the last setting, relay #4, (decimal number 3 and binary 11) you'll remove the jumpers so that neither of them is across either the SEL0 or SEL1 pins. Well, that's it for programming! Now we are ready to put the unit to the test and listen to those relays click!

- With all the states programmed, depress the first programmed button on your remote. The relay in the K1 position should toggle. Depress the remote button again, and the relay will toggle to the other state.

If you wish the relay to remain on only momentarily (while the button is depressed) install either the OP1,2 and/or the OP3,4 jumpers. By installing these, the processor knows that you would like to control two (or all four) outputs in a momentary fashion.

USING THE ICI1

Well, there really isn't much of a secret to using the ICI1, but we thought some wiring ideas would help. Primarily you will want to wire to the ICI1's four outputs to control some separate functions. The relay contacts effectively isolate the ICI1 from the circuit or appliance you wish to control, so that both AC and DC appliances may be controlled. Have a look at the following diagrams for help in configuring your remote decoder.

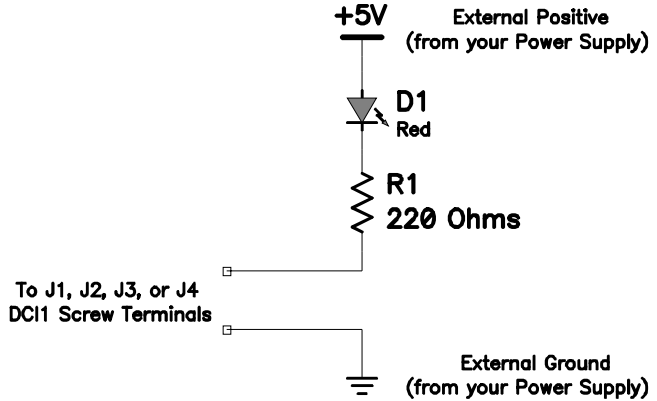
WIRING AND CUSTOM APPLICATION SUGGESTIONS

Using your DCI1 for a variety of applications is very simple. You just need to keep in mind the ratings for the relay contacts listed on the specification page to avoid any problems and use a common sense approach for personal safety. If you need to operate a simple low voltage DC circuit or switch on and off a low wattage 120 VAC lighting application, interface your wiring directly to the J1 through J4 screw terminals and you're off to the races! For heavily inductive loads such as a large motor or applications that exceed the power ratings of the relays, the following diagrams will help you get started wiring the DCI1 as a trigger source for a larger relay or similar device.

Typical Low Power DC Wiring:

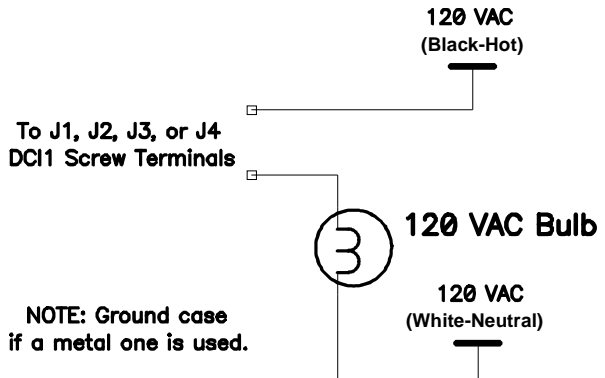
-LED switch application

- Note that this application will work for any DC appliance (as long as the current ratings of the relay are not exceeded). Use care in applying the correct polarity to the DC device when wiring.



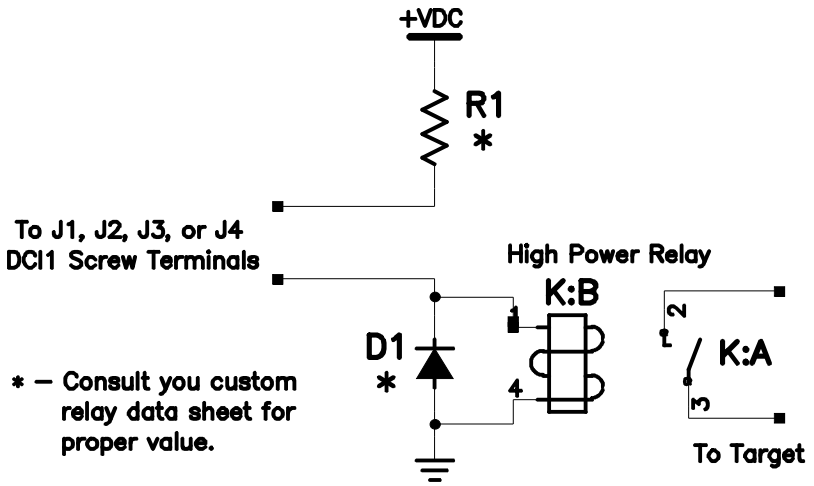
Typical Low Power AC Wiring:

-120 VAC light being switched on Hot side.



Typical High Power Relay:

-DCI1 used to trigger another Higher Power relay.



A few other important notes:

It is recommended that all external connections be fused for safety, especially if you are connecting to 120VAC line voltage. Please choose the correct fuse size for your individual application. Proper fusing is critical to the safe operation of your kit, please take the time to properly insulate any high voltage or current contacts made externally to your unit.

TROUBLESHOOTING GUIDE

If your ICI does not work at all, recheck the following:

- correct orientation of VR1 and U1 (see PC board layout diagram).
- You should be able to measure the voltage on the input and output terminals of voltage regulator VR1. The input should be whatever the supply voltage is specified at, while the output should be 5 VDC +/- 5%.
- correct polarity of all electrolytic capacitors.
- correct orientation of diodes D1 – D6
- all solder connections

PROBLEM: The green LED doesn't light up when I aim my remote at it.

SOLUTION: There are a few things that can go wrong here, so we will go from the most likely to the least.

- 1 You forgot to turn on the power, or your DC adapter isn't compatible (the polarity is reversed).
- 2 You installed the green LED in backwards. Please check the orientation.
- 3 Your remote control's battery is shot. Replace the battery.
- 4 Junior poured a coke and some ice cream into it. Take it apart and clean it with warm water and a touch of dish detergent.
- 5 It is an ancient remote that has a hammer and chimes inside. Those just won't work, this is for IR remotes only.
- 6 You are trying to relay an IR remote that is modulated at some other frequency than 38kHz. There are some other ranges available but 38kHz is by far the most common. Most consumer components operate at 38kHz. This product ONLY works at 38kHz.

PROBLEM: The LED stays constantly lit.

SOLUTION: The detector is too near the IR LED/ or a noise source is saturating it. The IR detector can become saturated and remain on, jamming the unit. Reposition the IR LED to aim away from the detector or even use some creative "shielding" tape to shield the input to the detector.

STILL HAVING TROUBLE?

While we had hoped that it wouldn't come to this, if you are still having trouble with your IR controller, here are a few additional suggestions.

Use a methodical, logical troubleshooting technique. Most problems can be solved using common sense. A volt-ohm meter and a clear head are usually all that are needed to correct any problem. Most problems are due to misplaced parts and/or bad solder connections. Working backwards through the assembly steps will often lead you to the problem. Revisit the extensive theory of operation included in this manual and try to apply it to your specific problem.

Have another set of eyes look at your work. Here at the shop we have often run into a "stone wall" of a problem only to have a fellow technician see our obvious error. It is sometimes very difficult to see your own mistake; taking a break can often solve this common problem.

Make sure that you have “checked” all the assembly steps boxes; you may have forgotten one or two of them.

PROBLEM: I just can't make the &#^\$^@! thing work!

SOLUTION: Call Ramsey Support at 1-585-924-4560 or look at the warranty in this manual. We are here to help and reduce your frustration as much as possible. It is usually something simple. Have your board revision handy to help our technicians find the proper schematic for your needs. You can email our tech support as well at the ramseykits.com website. Oh, please count to ten before calling, taking some deep breaths first...

IC11 INFRARED CONTROLLER INTERFACE SPECIFICATIONS

Here are few of the commonly requested specifications for the IC11:

J1, 2, 3, and 4 Relay Outputs

- Contact Rating: 5 A, 120 VAC / 28 VDC (Resistive)
- Rated Contact Current: 5 A
- Max. Contact Capacity: 1250VA AC, 150W DC
- Contact Arrangement: SPST-NO
- Contact Material: AG Alloy
- Note: Not intended for heavily inductive loads such as large motors.

J5 Power Input

- Input working voltage range: 9 - 15 VAC or VDC
- Max IC11 current draw is between 200 - 250 mA.

Miscellaneous Information

- PCB Dimensions: 4.7" L x 4" W (max component height: 0.9")

CONCLUSION

We sincerely hope that you enjoy the use of this Ramsey product. As always, we have tried to compose our manual in the easiest, most user-friendly format that is possible. As our customers, we value your opinions, comments, and additions that you would like to see in future publications. Please submit comments or ideas to:

Ramsey Electronics Inc.
Attn. Hobby Kit Department
590 Fishers Station Drive
Victor, NY 14564

Please also feel free to visit our Website at www.ramseykits.com and offer your observations to other kit enthusiasts as well.

And once again, thanks from the folks here at Ramsey!

The Ramsey Kit Warranty

Please read carefully BEFORE calling or writing in about your kit. Most problems can be solved without contacting the factory.

Notice that this is not a "fine print" warranty. We want you to understand your rights and ours too! All Ramsey kits will work if assembled properly. The very fact that your kit includes this new manual is your assurance that a team of knowledgeable people have field-tested several "copies" of this kit straight from the Ramsey Inventory. If you need help, please read through your manual carefully. All information required to properly build and test your kit is contained within the pages!

1. DEFECTIVE PARTS: It's always easy to blame a part for a problem in your kit. Before you conclude that a part may be bad, thoroughly check your work. Today's semiconductors and passive components have reached incredibly high reliability levels, and it's sad to say that our human construction skills have not! But on rare occasions a sour component can slip through. All our kit parts carry the Ramsey Electronics Warranty that they are free from defects for a full ninety (90) days from the date of purchase. Defective parts will be replaced promptly at our expense. If you suspect any part to be defective, please mail it to our factory for testing and replacement. Please send only the defective part(s), not the entire kit. The part(s) MUST be returned to us in suitable condition for testing. Please be aware that testing can usually determine if the part was truly defective or damaged by assembly or usage. Don't be afraid of telling us that you 'blew-it', we're all human and in most cases, replacement parts are very reasonably priced.

2. MISSING PARTS: Before assuming a part value is incorrect, check the parts listing carefully to see if it is a critical value such as a specific coil or IC, or whether a RANGE of values is suitable (such as "100 to 500 uF"). Often times, common sense will solve a mysterious missing part problem. If you're missing five 10K ohm resistors and received five extra 1K resistors, you can pretty much be assured that the '1K ohm' resistors are actually the 'missing' 10 K parts ("Hum-m-m, I guess the 'red' band really does look orange!") Ramsey Electronics project kits are packed with pride in the USA. If you believe we packed an incorrect part or omitted a part clearly indicated in your assembly manual as supplied with the basic kit by Ramsey, please write or call us with information on the part you need and proof of kit purchase.

3. FACTORY REPAIR OF ASSEMBLED KITS:

To qualify for Ramsey Electronics factory repair, kits MUST:

1. NOT be assembled with acid core solder or flux.
2. NOT be modified in any manner.
3. BE returned in fully-assembled form, not partially assembled.
4. BE accompanied by the proper repair fee. No repair will be undertaken until we have received the MINIMUM repair fee (1 hour labor) of \$49.00, or authorization to charge it to your credit card account.
5. INCLUDE a description of the problem and legible return address. DO NOT send a separate letter; include all correspondence with the unit. Please do not include your own hardware such as non-Ramsey cabinets, knobs, cables, external battery packs and the like. Ramsey Electronics, Inc., reserves the right to refuse repair on ANY item in which we find excessive problems or damage due to construction methods. To assist customers in such situations, Ramsey Electronics, Inc., reserves the right to solve their needs on a case-by-case basis.

The repair is \$49.00 per hour, regardless of the cost of the kit. Please understand that our technicians are not volunteers and that set-up, testing, diagnosis, repair and repacking and paperwork can take nearly an hour of paid employee time on even a simple kit. Of course, if we find that a part was defective in manufacture, there will be no charge to repair your kit (But please realize that our technicians know the difference between a defective part and parts burned out or damaged through improper use or assembly).

4. REFUNDS: You are given ten (10) days to examine our products. If you are not satisfied, you may return your unassembled kit with all the parts and instructions and proof of purchase to the factory for a full refund. The return package should be packed securely. Insurance is recommended. Please do not cause needless delays, read all information carefully.

ICI1 REMOTE INTERFACE KIT Quick Reference Page Guide

Introduction	4
Theory of Operation	5
Parts List	9
Schematic Diagram.....	10
Parts Placement Diagram	11
Specifications.....	26
Warranty	27

REQUIRED TOOLS

- Soldering Iron Ramsey #RTS06
- Thin Rosin Core Solder Ramsey #RTS12
- Needle Nose Pliers Ramsey #RTS05
- Small Diagonal Cutters Ramsey #RTS04

ADDITIONAL SUGGESTED ITEMS

- Soldering Iron Holder/Cleaner (RS64-2078)
- Holder for PC Board/Parts Ramsey #RTS13,
- Desoldering Braid Ramsey #RTS08

Price: \$5.00

Ramsey Publication No. MIC11

Assembly and Instruction manual for:

RAMSEY MODEL NO. ICI1



ESTIMATED ASSEMBLY TIME

Beginner2 hrs
Intermediate1.25 hrs
Advanced0.75 hrs